



Etac Clean  
shower commode chairs

 etac®

# Etac Clean

*Etac Clean is secure, safe and simple for both users and carers. With practical functionality and design, every detail of the chair has been developed to give the user a positive and safe bathroom experience.*

## Easy to fit and manoeuvre

Etac Clean is extremely easy to operate, thanks to the width of the push handle. The clever design can be seen throughout the entire chair. The upright handle ensures that Clean is a perfect fit, even over wall-mounted toilets, and the chair is open at the back to facilitate access.

## Comfortable and practical foot support

The foot support is unique and can be pushed under the seat when not in use. The soft curved surface provides good comfort for the feet, which are also protected by the foot support's side protection.

All other variants of Clean also have these features, but they also have additional functionality to meet other needs.



### Etac Clean shower commode chair

44 cm (17¼"), 4 lockable castors, lagoon green	80229209
44 cm (17¼"), 4 lockable castors, white	80229269
49 cm (19¼"), 4 lockable castors, lagoon green	80229210
49 cm (19¼"), 4 lockable castors, white	80229270
49 cm (19¼"), 2 lockable castors, lagoon green	80229213
49 cm (19¼"), 2 lockable castors, white	80229273
49 cm (19¼"), 4 lockable castors, double box, lagoon green	80229220
49 cm (19¼"), 2 lockable castors, double box, lagoon green	80229223
49 cm (19¼"), 4 lockable wheels, backrest upholstery, panholder	80229286
49 cm (19¼"), 2 lockable castors, soft back, white	80229305
49 cm (19¼"), 2 lockable castors, 2 pcs double box, blue/white	80229307
55 cm (21¾"), 4 lockable wheels, backrest upholstery, panholder, white	80229287
55 cm (21¾"), 4 lockable castors, lagoon green	80229211
55 cm (21¾"), 4 lockable castors, white	80229271
55 cm (21¾"), 2 lockable castors, lagoon green	80229214
55 cm (21¾"), 2 lockable castors, white	80229274
55 cm (21¾"), 4 lockable castors, double box, lagoon green	80229221
55 cm (21¾"), 2 lockable castors, double box, lagoon green	80229224
55 cm (21¾"), 2 lockable castors, soft back, white	80229306
55 cm (21¾"), 2 lockable castors, 2 pcs double box, blue/white	80229308
60 cm (23½"), 2 lockable castors incl. heightening spacers, lagoon green	80229215
60 cm (23½"), 2 lockable castors incl. heightening spacers, white	80229275

### Width

52 cm

### Width between arm supports

43.5 cm

### Seat height

44 / 49 / 55 / 60 cm

### Seat width

48 cm

### Seat depth

44 cm

### Weight

44 cm: 13.5 kg

49 cm: 14.0 kg

55 cm: 14.5 kg

60 cm: 15 kg

### Maximum user weight

130 kg

### Material

Chassis: Powder-painted steel tubing

Seat/back support: Polypropylene

Arm supports: Polypropylene

Foot support: Polypropylene

Castor brackets: Polyamide

Castors, lockable, ball-bearing: Polyamide/TPE



### Maintenance

Clean the product with a solvent-free cleaning agent (pH level 5–9), or with a 70 % disinfectant solution. Can be decontaminated at max 85° C / 185° F is so required.

## Features



### Slim but roomy

The smart design gives Etac Clean a large and comfortable seating area even though the chair is neat and slim.



### Fits over the toilet

Thanks to the upright operating handle, the chair is a perfect fit, even over wall-mounted toilets.



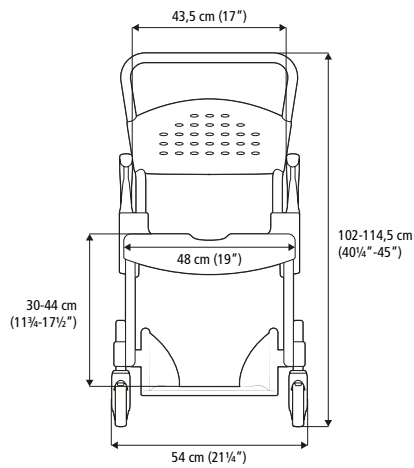
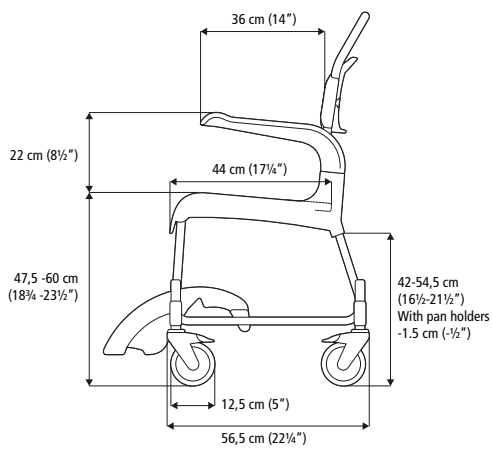
### Easy access

The chair is open at the back to facilitate access for hygiene purposes.



### Foot support designed for feet

The practical foot support has a soft, rounded shape which gives the feet extra comfort and protection.



## Accessories



**Soft back support**  
80209225  
Adjustable with velcro straps.  
Washing at max 60° C (140° F).



**Comfort Cover**  
80209228  
A soft back support with integrated arm support pads. Material: polyethylene. Cleaning max. 60° C (140 °F) or with alcohol wipe.



**Side Support**  
80209509  
Adjustable in width.  
Material: Polyester fabric, Velcro, polyethylene. Washing at max. 60° C (140° F).



**Comfort Arm Pads**  
80209226  
Soft and warm, leaving the handles free to ensure a firm grip when standing up. Material: polyethylene. Cleaning max. 60° C (140 °F) or with alcohol wipe.



**Crossbar**  
80209246  
Attached to the arm supports.  
Material: Aluminium, cellular polyethylene, polypropylene.



**Cushion, protect**  
80209245  
Air-inflated ROHO cushion with excellent pressure distribution properties. Adjustable air pressure. Recess width: 21 cm (8¼"). Material: Neoprene. Cleaning max: 60° C (140° F).



**Safety strap**  
80209034  
Attachments on the rear side of the back support.  
Material: Polyester.



**Soft pad**  
Grey: 80209260  
Heat-reflecting with a non-slip surface. Recess width: 17 cm (6¾"). Material: polyethylene. Cleaning max max. 60° C (140 °F) or with alcohol wipe.



**Positioning belt**  
80209440  
Adjustable in length.  
Attachment with velcro straps.  
Material: Polyester.



**Soft back pad**  
Grey: 80209261  
Heat-reflecting with a non-slip surface. Material: polyethylene. Cleaning max. 60° C (140° F) or with alcohol wipe.



**Chest harness strap**  
80209442  
Adjustable in length. Attach to back support. Always use together with positioning belt.  
Material: Polyester.



**Seat cover**  
80209247  
When a complete seat is required.  
Material: Polyurethane.  
Cleaning max. 85° C (185° F) or with alcohol wipe.



**Comfort Kit**  
80209237  
Includes both Comfort Seat Soft and Comfort Cover. Cleaning max. 60° C (140 °F) or with alcohol wipe.



**Soap dish (does not fit Clean 24")**  
Grey: 80209266  
Attaches to the side of the seat. Built-in shower handle holder.  
Material: Polypropylene.  
(Does not fit Clean 24")



**Comfort Seat Soft**  
Opening width 15 cm (6"): 80209301  
Opening width 18 cm (7"): 80209227  
A soft contoured seat in two versions, small opening: W 15 cm (6") or narrow opening: W 18 cm (7"). Material: polyurethane. Cleaning max. 85° C (185° F) or with alcohol wipe.



**Pan**  
Grey: 80209254  
Material: polypropylene.  
**Pan incl. lid with handle**  
Grey: 80209255  
Grey lid only, with handle: 80209256  
Material: Polypropylene.

## Accessories



### Pan holder

Grey: 80209257  
Fits both pan, bedpan and regular hospital pans with a thin rim.



### Attachment for low mounting of pan/bucket

Grey: 80209259  
Fitted to the pan/bucket holder. Lowers the pan/bucket holder with 6 cm (2½"). Material: Polypropene.



### Bucket with handle and lid

80302026  
The bucket holder is not included. Material: Polypropylene.



### Disposable pans, 50 pc.

80209280  
Strong and firm. 50 pcs.



### Bucket holder

Grey: 80209258  
Fits Bucket with handle and lid and other buckets with a thick rim. Material: Polypropene.



### Disposable pan holder kit

Grey: 80209229  
Fits Disposable pan.

## Additional accessories – Clean 49 and 55 cm only



### Heightening spacers – Clean 49 and 55 cm only

80209243  
Raise the seat by 5 cm (2"). Material: Aluminium.



### Rear wheel adapter – Clean 49 and 55 cm only

Grey: 80209262  
Material: Aluminium, polyamide.