



**Self propelled**

Easy to operate for the independent user.

**Safe and simple transfer**

The flat seat and the brake position facilitate lateral transfer.

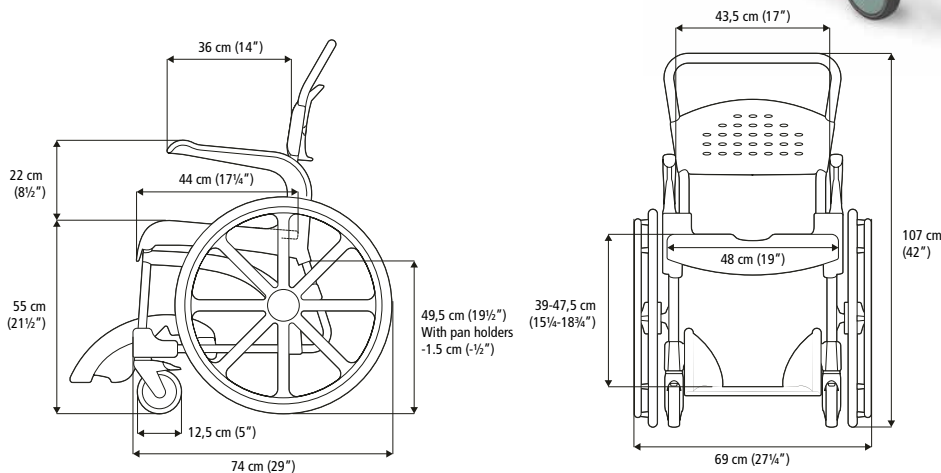
# Etac Clean 24"

This variant of Etac Clean is suitable for those who can operate the chair independently and want to maximise their mobility.

## Easy to manoeuvre, for the independent user

The Etac Clean 24-inch wheels are positioned to make it easy to manoeuvre the chair without compromising user safety or comfort. It is easy to transfer to and from the chair thanks to the large, unrestricted seat in front of the wheels. The brake handles are also positioned below the seat so that they do not get in the way during transfer, while remaining easy to reach.

Etac Clean 24" has the same basic benefits as the other members of the Clean family – but allows the user to operate the chair independently.



### Etac Clean 24"

55 cm (21 3/4) with 24" rear wheels, white  
55 cm (21 3/4) with 24" rear wheels, lagoon green

80229276  
80229216

### Width

69 cm

### Width between arm supports

43.5 cm

### Seat height

55 cm

### Seat width

48 cm

### Seat depth

44 cm

### Weight

20 kg

### Maximum user weight

130 kg

### Material

Rear wheel adapter: aluminum  
Rear Wheels: polyamide, solid tires  
Chassis: Powder-painted steel tubing  
Seat/back support: Polypropylene  
Arm supports: Polypropylene  
Foot support: Polypropylene  
Caster brackets: Polyamide  
Castors, lockable, ball-bearing: Polyamide/TPE



### Maintenance

Clean the product with a solvent-free cleaning agent (pH level 5–9), or with a 70% disinfectant solution. Can be decontaminated at max 85°C / 185°F if so required.

## Accessories



### Soft back support

80209225  
Adjustable with velcro straps.  
Washing at max 60° C (140° F).



### Comfort Cover

80209228  
A soft back support with integrated arm support pads. Material: polyethylene. Cleaning max. 60° C (140° F) or with alcohol wipe.



### Side Support

80209509  
Adjustable in width.  
Material: Polyester fabric, Velcro, polyethylene. Washing at max. 60° C (140° F).



### Comfort Arm Pads

80209226  
Soft and warm, leaving the handles free to ensure a firm grip when standing up. Material: polyethylene. Cleaning max. 60° C (140° F) or with alcohol wipe.



### Crossbar

80209246  
Attached to the arm supports.  
Material: Aluminium, cellular polyethylene, polypropylene.



### Cushion, protect

80209245  
Air-inflated ROHO cushion with excellent pressure distribution properties. Adjustable air pressure. Recess width: 21 cm (8¼"). Material: Neoprene. Cleaning max: 60° C (140° F).



### Safety strap

80209034  
Attachments on the rear side of the back support.  
Material: Polyester.



### Soft pad

Grey: 80209260  
Heat-reflecting with a non-slip surface. Recess width: 17 cm (6¾"). Material: polyethylene. Cleaning max max. 60° C (140° F) or with alcohol wipe.



### Positioning belt

80209440  
Adjustable in length.  
Attachment with velcro straps.  
Material: Polyester.



### Soft back pad

Grey: 80209261  
Heat-reflecting with a non-slip surface. Material: polyethylene. Cleaning max. 60° C (140° F) or with alcohol wipe.



### Chest harness strap

80209442  
Adjustable in length. Attach to back support. Always use together with positioning belt.  
Material: Polyester.



### Seat cover

80209247  
When a complete seat is required.  
Material: Polyurethane. Cleaning max. 85° C (185° F) or with alcohol wipe.



### Comfort Kit

80209237  
Includes both Comfort Seat Soft and Comfort Cover. Cleaning max. 60° C (140° F) or with alcohol wipe.



### Soap dish (does not fit Clean 24")

Grey: 80209266  
Attaches to the side of the seat. Built-in shower handle holder. Material: Polypropylene. (Does not fit Clean 24")



### Comfort Seat Soft

Opening width 15 cm (6"): 80209301  
Opening width 18 cm (7"): 80209227  
A soft contoured seat in two versions, small opening: W 15 cm (6") or narrow opening: W 18 cm (7"). Material: polyurethane. Cleaning max. 85° C (185° F) or with alcohol wipe.



### Pan

Grey: 80209254  
Material: polypropylene.

### Pan incl. lid with handle

Grey: 80209255  
Grey lid only, with handle: 80209256  
Material: Polypropylene.



## Accessories



### Pan holder

Grey: 80209257  
Fits both pan, bedpan and regular hospital pans with a thin rim.



### Attachment for low mounting of pan/bucket

Grey: 80209259  
Fitted to the pan/bucket holder. Lowers the pan/bucket holder with 6 cm (2½"). Material: Polypropene.



### Bucket with handle and lid

80302026  
The bucket holder is not included.  
Material: Polypropylene.



### Disposable pans, 50 pc.

80209280  
Strong and firm. 50 pcs.



### Bucket holder

Grey: 80209258  
Fits Bucket with handle and lid and other buckets with a thick rim.  
Material: Polypropene.



### Disposable pan holder kit

Grey: 80209229  
Fits Disposable pan.